

VR3 ASSISTED DIP / CHIN

12231-02

Parts Manual

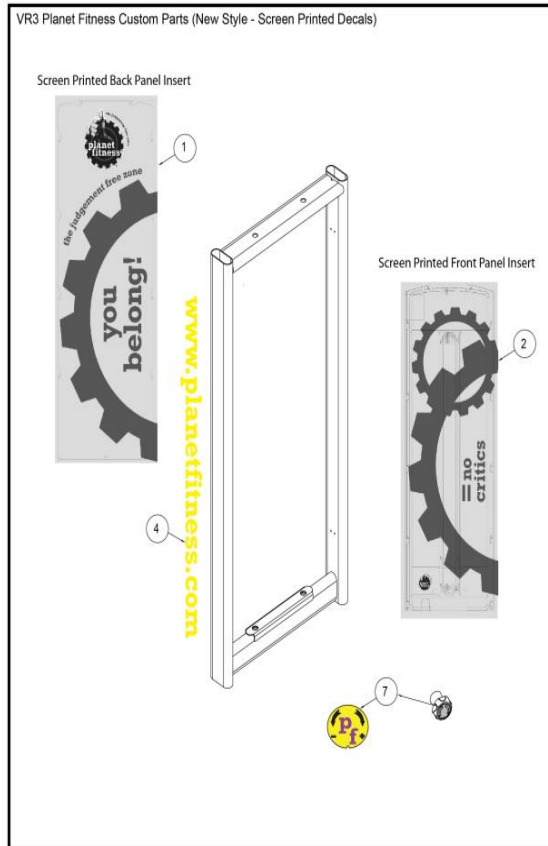
8/20/2020 15:29:42 PM



Table of Contents

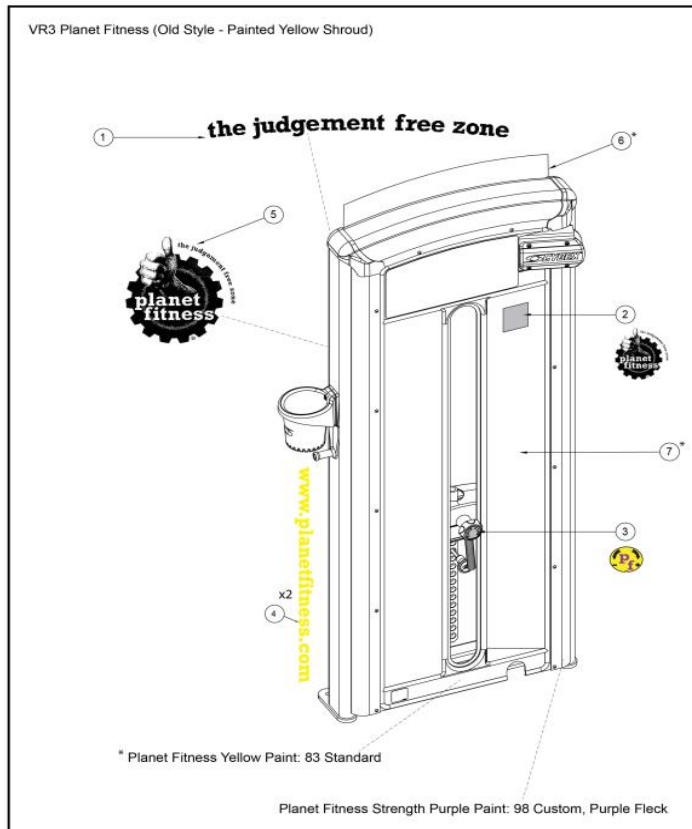
VR3 Planet Fitness Custom (New Style)	3
VR3 Planet Fitness Custom (Old Style) □.....	4
VR3 You Fit Custom □.....	5
VR3 - Snap Fitness	6
12231 Belt Routing	7
12231 Foot Bar Assembly	8
12231 Frame Assembly	9
12231 Heavy Stack Assembly	10
12231 Lower Handle Assembly	11
12231 Panel Assembly	12
12231 Parts Not Shown	13
12231 Step Assembly	14
12231 Top weight assembly (Before G1231)	15
12231 Upper handle assembly (After F0408)	17

VR3 Planet Fitness Custom (New Style)



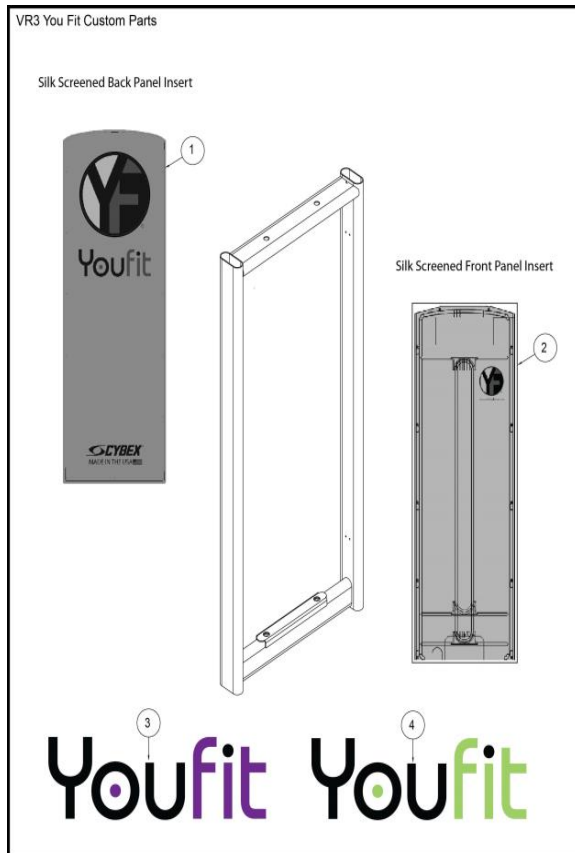
Ref #	Part Number	Qty	Description
1	12000-375P	1	BACK PANEL INSERT, PLANET FITNESS
2	12000-418P	1	Panel insert, Planet Fitness
4	DE-60251	1	WWW.PLANETFITNESS.COM DECAL (YELLOW)
7	DE-60231	1	DECAL ROTATION PLANET FITNESS

VR3 Planet Fitness Custom (Old Style) □



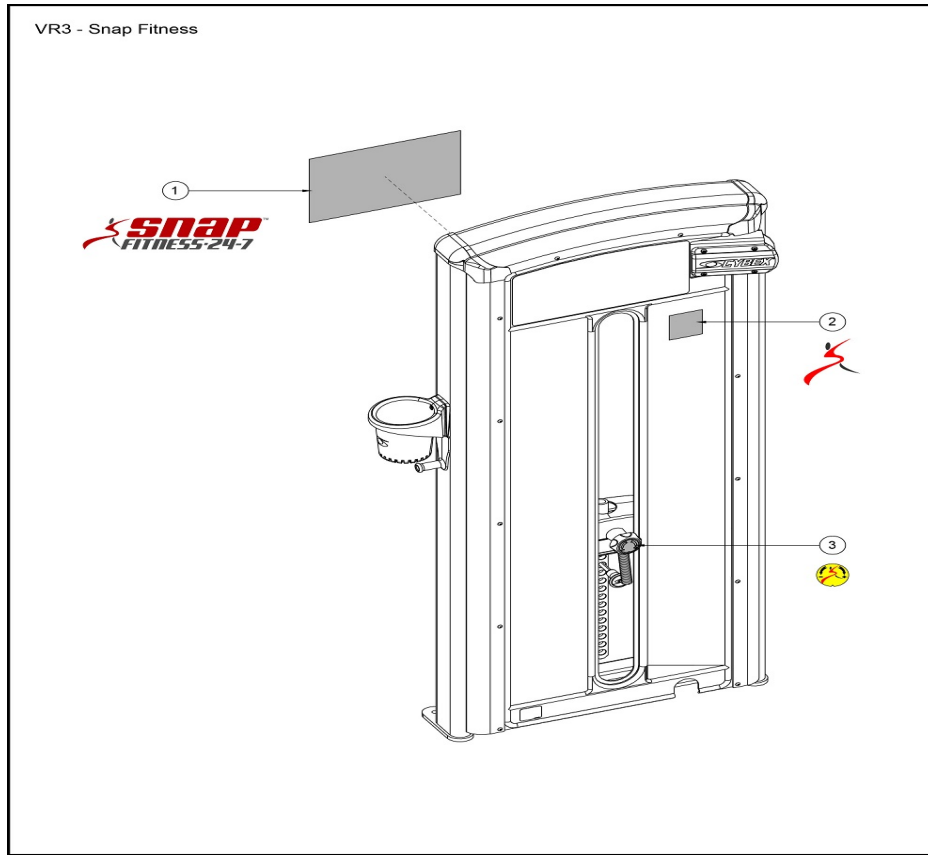
Ref #	Part Number	Qty	Description
1	DE-60232	1	DECAL JUDGEMENT FREE ZONE
2	DE-60233	1	DECAL THUMBS UP 3 INCH PLANET FITNESS
3	DE-60231	1	DECAL ROTATION PLANET FITNESS
4	DE-60251	1	WWW.PLANETFITNESS.COM DECAL (YELLOW)
5	DE-60235	1	DECAL THUMBS UP 13 INCH PLANET FITNESS
6	12000-375Y	1	BACK PANEL INSERT YELLOW
7	12000-418Y	1	PANEL INSERT

VR3 You Fit Custom



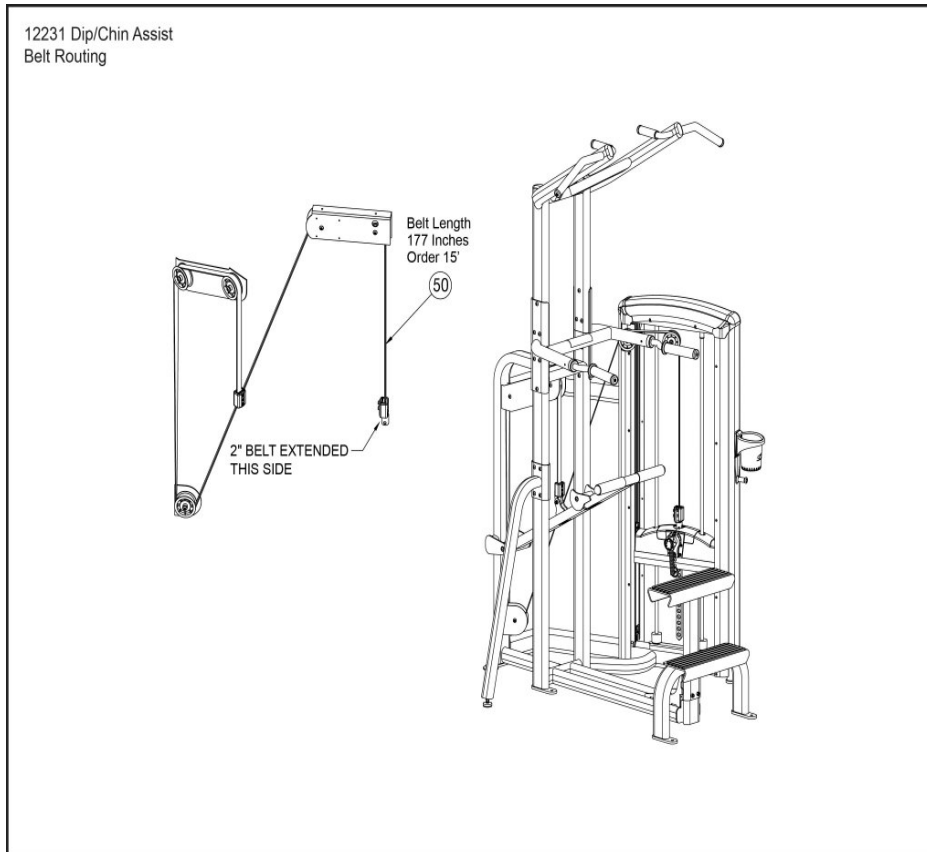
Ref #	Part Number	Qty	Description
1D	12000-375YP	1	BACK PANEL INSERT, YOUFIT PURPLE
1C	12000-375PY	1	BACK PANEL INSERT, YOUFIT PURPLE
1B	12000-375YG	1	BACK PANEL INSERT, YOUFIT GREEN
1A	12000-375GY	1	BACK PANEL INSERT, YOUFIT GREEN
2B	12000-418PY	1	PANEL INSERT, YOUFIT PURPLE
2A	12000-418YG	1	PANEL INSERT, YOUFIT GREEN
3	DE-60274	1	DECAL, YOUFIT PURPLE
4	DE-60275	1	DECAL, YOUFIT GREEN

VR3 - Snap Fitness



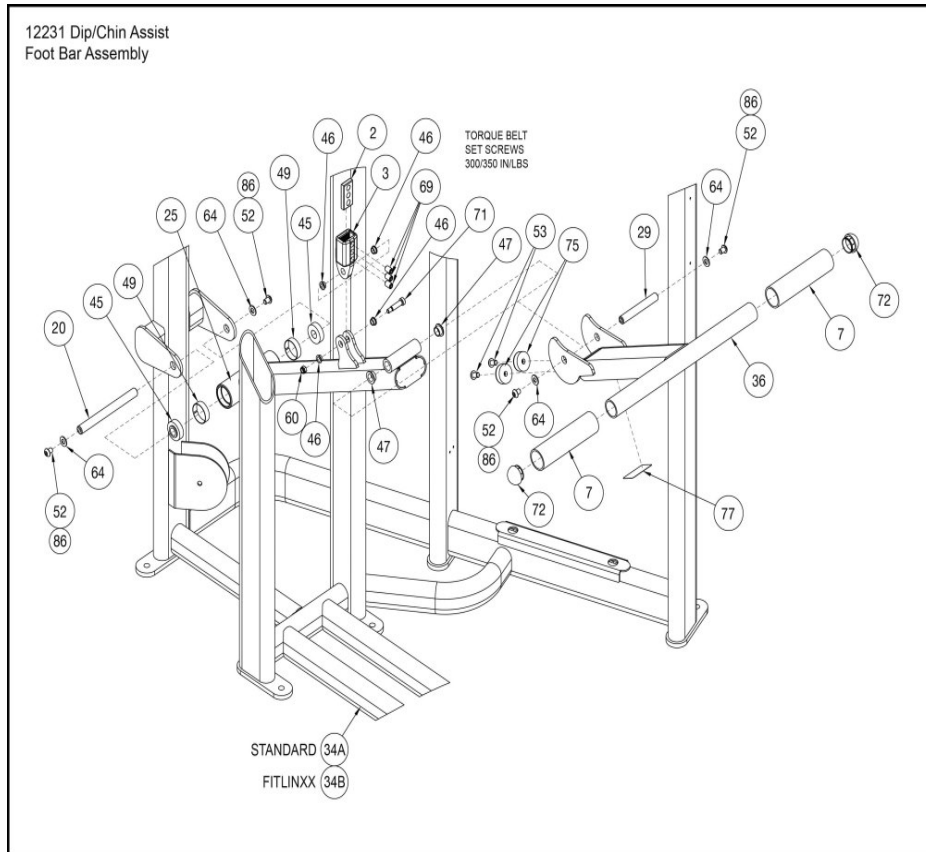
Ref #	Part Number	Qty	Description
1	12000-422	1	Decal Snap Fitness Logo 13.00
2	12000-423	1	DECAL SNAP FITNESS RUNNING MAN 3.00
3	12000-424	1	Decal Snap Fitness Rotation

12231 Belt Routing



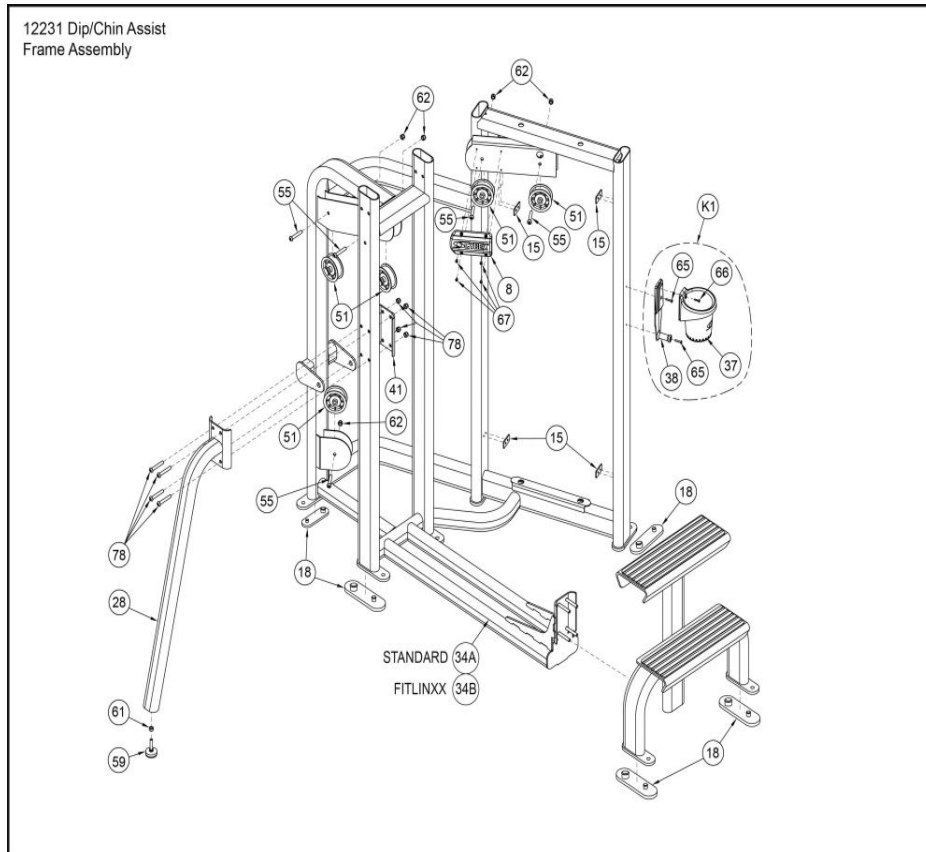
Ref #	Part Number	Qty	Description
50	GB000202	1	BELT .95 WIDE

12231 Foot Bar Assembly



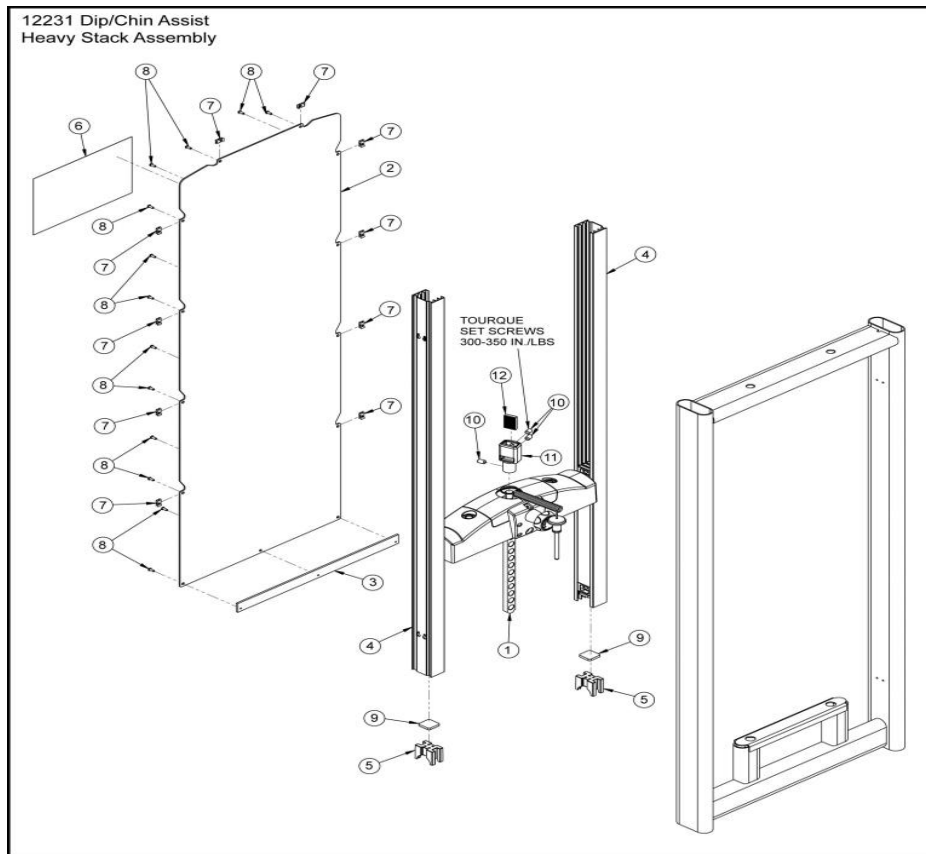
Ref #	Part Number	Qty	Description
2	11040-568	1	CLAMP BLOCK INSERT
3	11090-210	1	W CLAMP
7	11190-350	2	Grip 7.00
20	12120-328	1	SHAFT PIVOT
25	12230-204	1	W INPUT BAR Custom
29	12230-335	1	PIN PIVOT
34A	12231-200	1	W Main Frame Custom
34B	12239-200	1	W Main Frame Custom
36	12231-206	1	W Foot Bar Custom
45	FB030232	2	BRG RADIAL 17MM ID EXT RACE
46	FB050211	5	BRG FLG .38 X .50 .25 LG
47	FB130205	2	BRG FLG .62 X .75 .38 LG
49	FC030006	2	TOLERANCE RING 1.575 ID
52	JC700412	4	BHSCS .375-16 X .50
53	HC700414	2	BHSCS .375-16 X .62
60	HN664900	1	LOCKNUT .312-18 NYLON INSERT
64	HS347600	4	WASHER SAE .375
69	HY740000	3	SET SCREW
71	JD343320	1	S BOLT .375 X 1.25 .312-18
72	08001	2	PLUG 1.50
75	PR060003	2	BUMPER RECESS
77	DE000004	1	Decal Caution Custom

12231 Frame Assembly



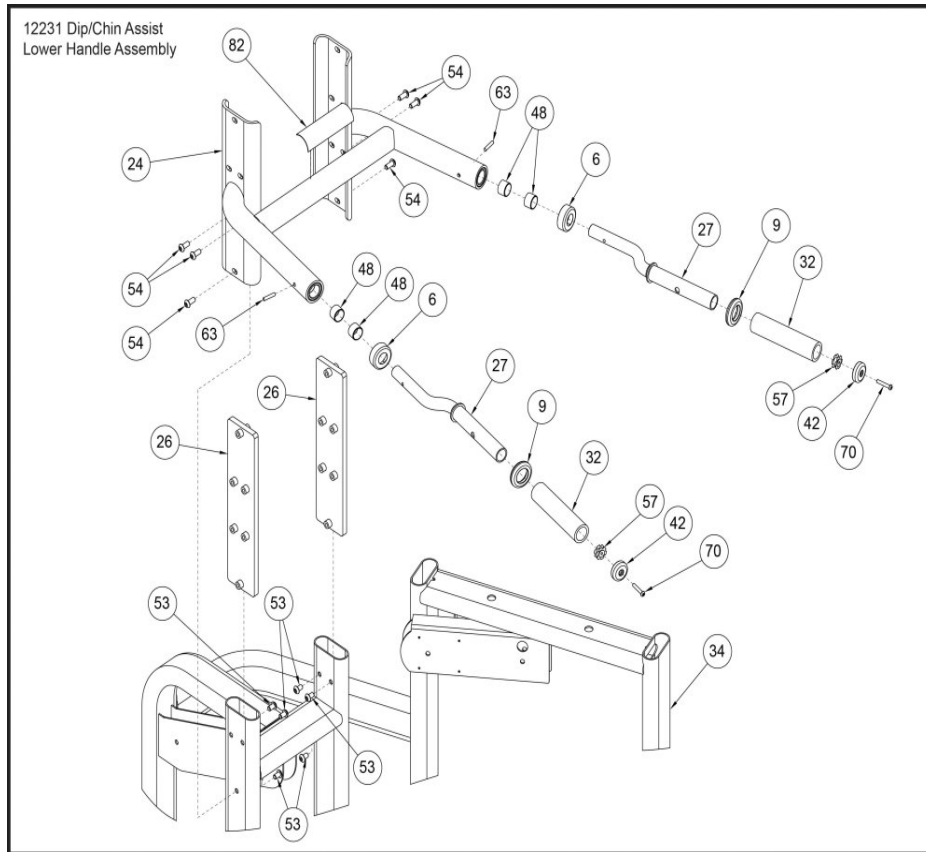
Ref #	Part Number	Qty	Description
K1	12000K017	1	Kit Water Bottle Holder
8	12000-466	1	PULLEY COVER
15	12000-398	4	SPACER
18	12090-322	5	PAD FOOT
28	12230-208	1	W SUPPORT LEG Custom
34B	12239-200	1	W Main Frame Custom
34A	12231-200	1	W Main Frame Custom
37	13000-400	1	Holder Water Bottle
38	13000-402	1	Mount Water Bottle Holder
41	610A-329	1	BRACKET DISPLAY MOUNT LOWER
51	GP000209	3	PULLEY ASSEMBLY-3.50
55	HC700428	5	BHSCS .375-16 X 2.25
59	HG700022	1	LEVELING GLIDE 3-8-16
61	HN704000	1	HEX NUT .375-16
62	HN704901	5	LOCKNUT .375-16 NYLON
65	HT512517	2	TAP SC 10-24 X 1.00 TYPE WB PN HD PHIL BLK
66	HT552515	1	TAP SC NO. 8-16 X .75 PLASTITE PN HD PHIL BLK
67	HT570410	4	SCREW PNH TORX 10-24X.375 BLACK
78	12230-005	8	KIT HARDWARE

12231 Heavy Stack Assembly



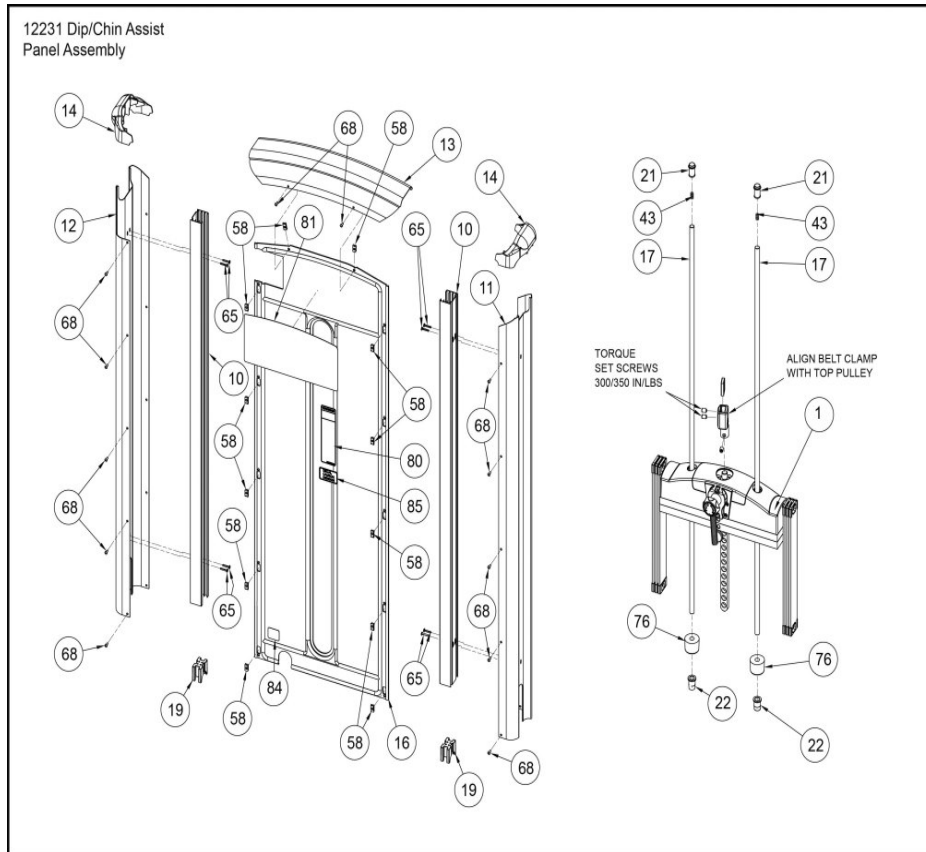
Ref #	Part Number	Qty	Description
1	11040-007	1	TOP WEIGHT ASSY 15
2	12000-375	1	PANEL INSERT
3	12000-378	1	SUPPORT
4	12000-387	2	EXTRUSION INC WT CHANNEL
5	12102-330	2	INSERT INCREMENT WEIGHT
6	3900-441	1	DECAL CYBEX VER BLACK
7	HF579000	10	PANEL FASTENER 10-24 U TYPE
8	HX570412	13	BHSCS 10-24 X .50 SS
9	11040-409	2	BUMPER
10	HY740000	3	SET SCREW
11	11040-216	1	P BELT CLAMP
12	11040-301	1	INSERT CLAMP BLOCK

12231 Lower Handle Assembly



Ref #	Part Number	Qty	Description
6	11100-360	2	END CAP
9	12000-369	2	RING HANDLE GRIP
24		1	W DIP HANDLES Custom
26	12230-205	2	W CONNECTION PLATE
27		2	W HANDLE Custom
32	12230-353	2	GRIP 7.00
34	12231-200	1	W Main Frame Custom
42	610A-350	2	END CAP
48	FB130214	4	BRG SLV 1.00 X 1.12 .75 LG
53	HC700414	6	BHSCS .375-16 X .62
54	HC700416	6	BHSCS .375-16 X .875
57	HF449064	2	INSERT 1.12 X .250-20 UNC
63	HP306820	3	PIN .25 X 1.25
70	JC620422	2	BHSCS .250-20 X 1.50
82	12230-352	1	Decal Warning Custom

12231 Panel Assembly



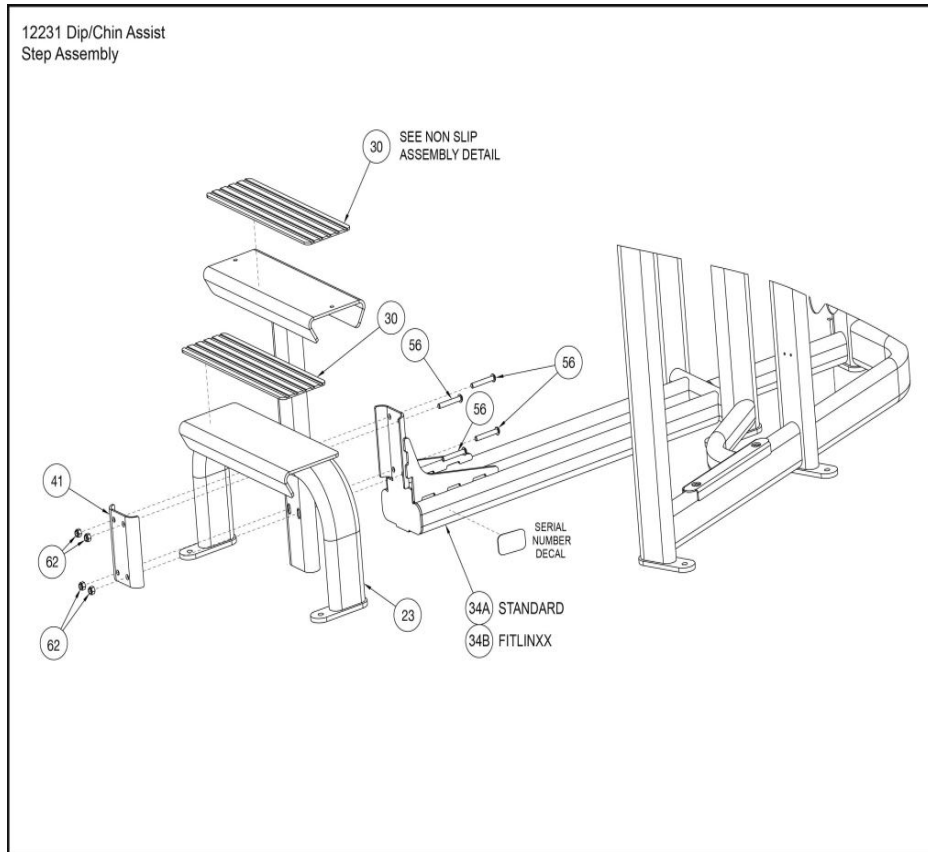
Ref #	Part Number	Qty	Description
1	11040-028	1	TOP WEIGHT ASSEMBLY
10	12000-387	2	EXTRUSION INC WT CHANNEL
11	12000-392	1	CHANNEL INCREMENT WEIGHT
12	12000-394	1	CHANNEL INCREMENT WEIGHT
13	12000-395	1	CAP TOP
14	12000-396	2	END CAP
16	12000-418	1	PANEL INSERT
17	12060-350	2	WT ROD .625 DIA X 54.63
19	12102-330	2	INSERT INCREMENT WEIGHT
21	12210-347	2	CAP GUIDE ROD
22	12210-348	2	CAP GUIDE ROD
43	BS070208	2	COMP SPRING .396 ID X .480 OD X 1.50 LG
58	HF579000	12	PANEL FASTENER 10-24 U TYPE
65	HT512517	7	TAP SC 10-24 X 1.00 TYPE WB PN HD PHIL BLK
68	HX570412	12	BHSCS 10-24 X .50 SS
76	PR060005	2	BUMPER WEIGHT
80	DE000001	1	Decal Warning Custom
81	12231-598	1	Placard VR3 Assisted Dip
84	11040-790	1	NLA: DECAL, MADE IN THE USA
85	DE000005	1	Decal Caution Custom

12231 Parts Not Shown



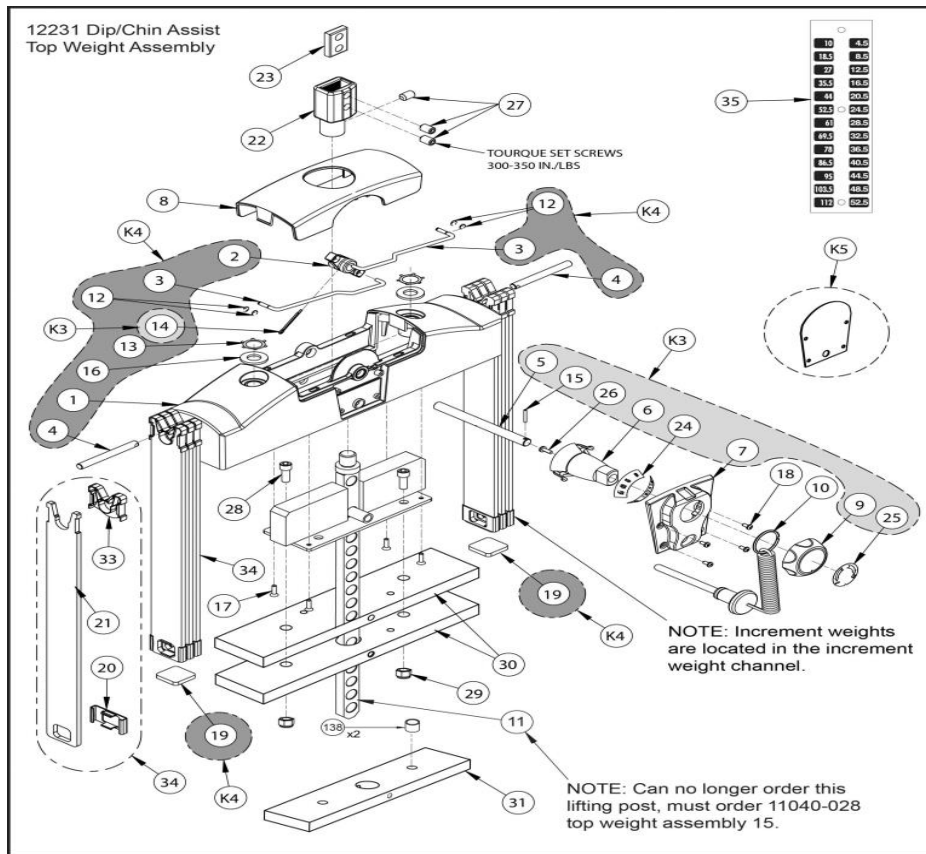
Ref #	Part Number	Qty	Description
K6	12000K019	1	Kit Hardware VR3

12231 Step Assembly



Ref #	Part Number	Qty	Description
23	12230-202	1	W STEP FRAME Custom
30	12230-337	2	NON-SLIP
34B	12239-200	1	W Main Frame Custom
34A	12231-200	1	W Main Frame Custom
41	610A-329	1	BRACKET DISPLAY MOUNT LOWER
56	HC700430	4	BHSCS .375-16 X 2.50
62	HN704901	4	LOCKNUT .375-16 NYLON

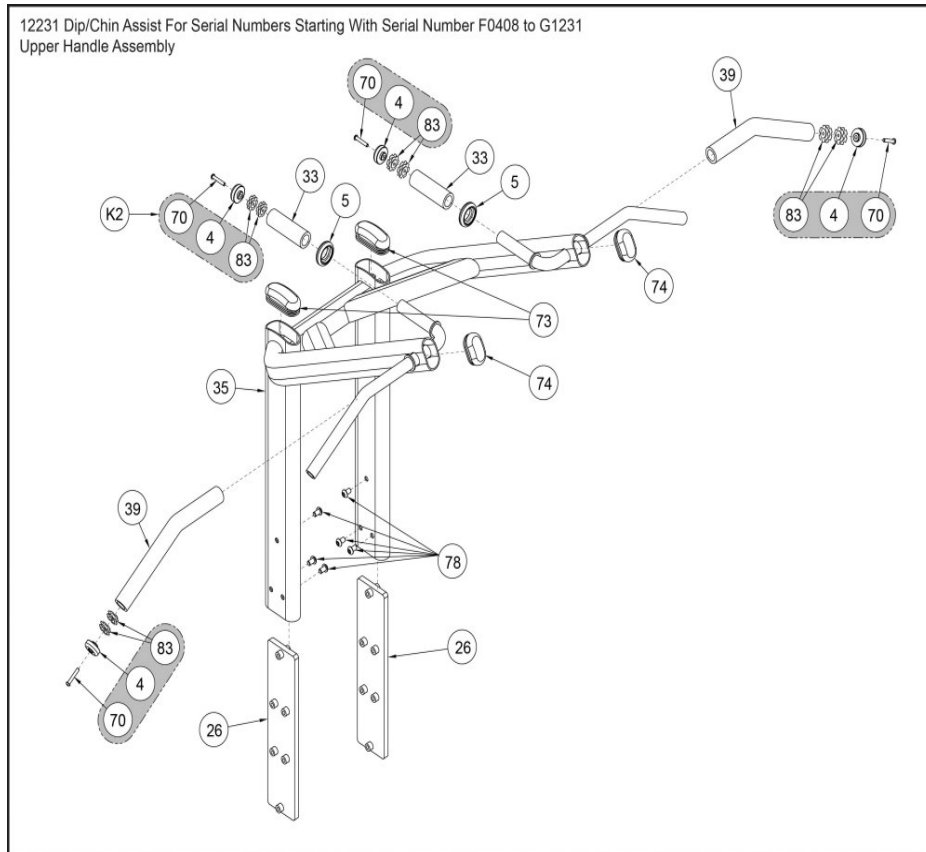
12231 Top weight assembly (Before G1231)



Ref #	Part Number	Qty	Description
1	11040-366	1	TOP WEIGHT ASSEMBLY MOLDED
2	11040-367	1	HUB MOLDED
K3	11040K009	2	KIT INCREMENT WEIGHT KNOB
3	11040-369	2	ROD LINKAGE
4	11040-370	2	PIN
K4	11040K010	3	Kit Top Weight Hardware
5	11040-427	1	ROD
K5	11040K007	1	KIT NON-INCREMENTAL TOP WEIGHT
6	11040-426	1	STEM
7	11040-424	1	COVER PLATE
8	11040-416	1	COVER TOP WEIGHT
9	11040-425	1	KNOB
10	BH030207	1	PIN WEIGHT SELECTOR
11	4700-251	1	NLA: C LIFTING POST 15
12	BR030209	4	RETAINING RING .188
13	BR030220	1	RETAINING RING 1.250 INTERNAL
14	HP016820	2	COTTER PIN .125 X 1.25
15	HP266765	1	ROLL PIN .125 X .938
16	HS720004	1	WASHER FELT .641 ID X 1.250 OD X .125 T
17	HT562715	1	TAP SC NO 10 X .750 F PHIL
18	HT582510	1	TAP SC NO 10 X .375 PN HD PHIL
19	11040-409	2	BUMPER

Ref #	Part Number	Qty	Description
20	11040-572	1	GUARD INCREMENT WEIGHT
21,34	11040-030	3	INCREMENT WEIGHT S/A
22	11040-216	1	P BELT CLAMP
23	11040-301	1	INSERT CLAMP BLOCK
24	12230-351	1	DECAL ADJUSTMENT
25	20000-429	1	ROTATION DECAL
26	HT552512	1	TAP SC NO. 8-16 X .50 PLASTITE PAN HEAD PHILLIPS BLACK
27	HY740000	3	SET SCREW
28	HC702826	1	SHCS .375-16 X 2.00
29	HN704902	1	LOCKNUT NYLON .375-16
30	11030-348	2	C WEIGHT 4 X 18
31	4000C101	1	C STACK WT 4X18
32	12230-035	1	WT PAC (12) 4 x 18
33	11040-578	1	GUARD, INCREMENT WEIGHT
35	12230-350	1	DECAL WEIGHT PLATE 10-112
138	FB130216	2	Bushing Weight Stack

12231 Upper handle assembly (After F0408)



Ref #	Part Number	Qty	Description
K2	11090K006	2	KIT HANDLE TRIM RING
4	11090-374	4	END CAP
26	12230-205	2	W CONNECTION PLATE
33	12230-355	2	Grip 4.38
35	12231-201	1	W Chin Handles Custom
39	4605-528	2	GRIP GRAB 14.00
70	JC620422	4	BHSCS .250-20 X 1.50
73	PP130002	2	INSERT DOMED PLASTIC
74	PP130003	2	INSERT PLASTIC
78	12230-005	6	KIT HARDWARE
83	HF449063	8	INSERT 3-4X1-4-20 CONNECTOR

